



# 608623-SS

STAINLESS STEEL BRUSH GUARD, FRONT

(FOR AESTHETIC APPEARANCE ONLY)

### TOOLS REQUIRED:

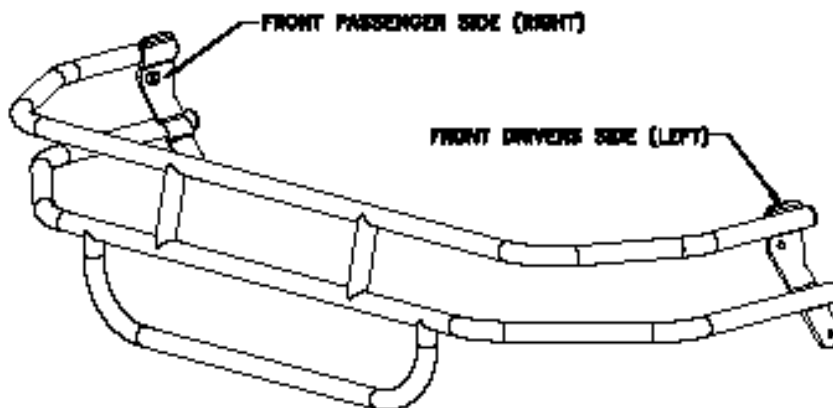


1/2" SOCKET AND RATCHET

### INSTALLATION NOTES

THE BRUSH GUARD WILL BE AFFIXED TO THE OEM LOCATION USING THE FOUR CURRENT BOLTS USED TO SUPPORT THE SUN TOP ROOF. TO AVOID DAMAGE TO THE VEHICLE AND/OR BRUSH GUARD APPEARANCE, TWO PEOPLE ARE NECESSARY FOR PROPER INSTALLATION.

**A**



FRONT PASSENGER SIDE (RIGHT)

FRONT DRIVERS SIDE (LEFT)

1X

STAINLESS STEEL BRUSH GUARD, FRONT

**B**



5/16-18x2.25" BOLT

4X

**C**



1/2" SPACER

6X

**D**



5/16" WASHER

4X

1/2

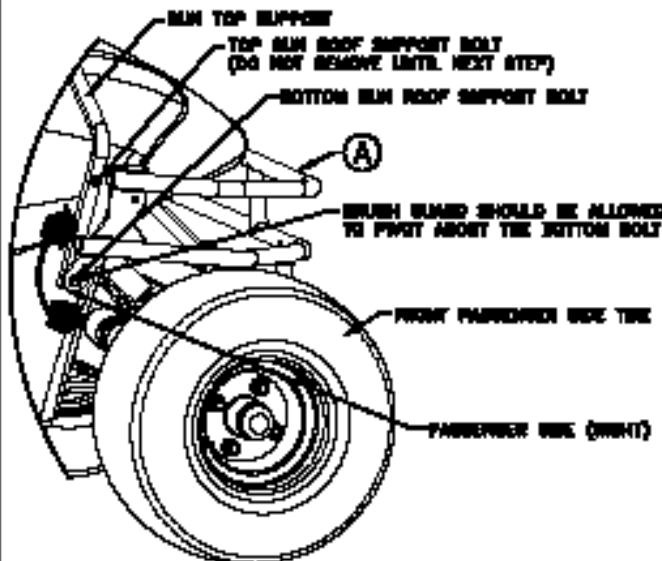
608623-SSMI

PHOENIX USA

REV 0

## 1 BRUSH GUARD (FRONT), W/ SUN TOP

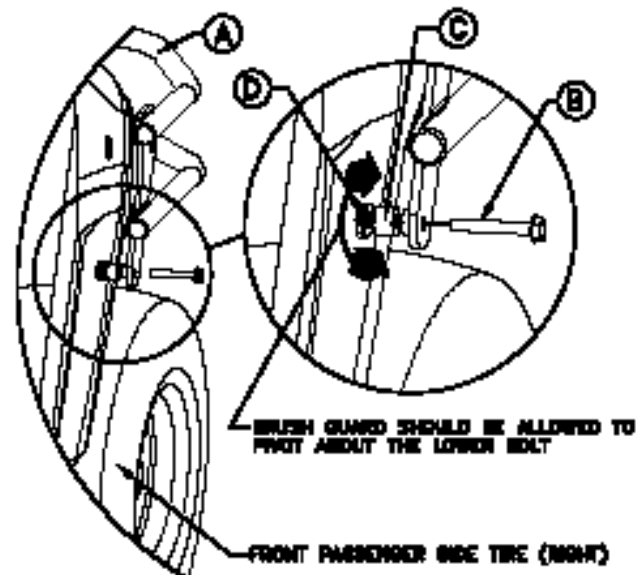
IF YOUR VEHICLE HAS A SUN TOP YOU WILL REMOVE THE HARDWARE.



1A). FOR EASE OF INSTALLATION, BEGIN BY REMOVING THE LOWER BOLTS ON BOTH SIDES OF THE SUN TOP BODY SUPPORTS. (NOTE: LEAVE THE UPPER BOLTS IN PLACE TO SUPPORT THE BODY) ALIGN THE BRUSH GUARD AND REINSTALL THE LOWER BOLTS AS SHOWN. (NOTE: DO NOT TIGHTEN BOLTS DOWN UNTIL ALL BOLTS ARE IN PLACE)

## BRUSH GUARD (FRONT), W/O SUN TOP

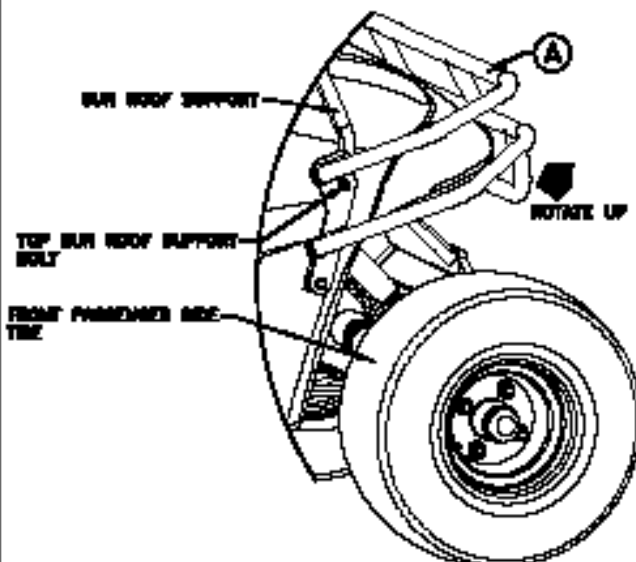
WITHOUT A SUN TOP, YOU WILL NEED TO USE THE HARDWARE PROVIDED WITH THE BRUSH GUARD FOR INSTALLATION.



1B). BEGINNING WITH THE BOTTOM HOLE, PLACE THE 5/16-18-2.35" BOLT (ITEM "B") THROUGH THE BOTTOM HOLE IN THE BRUSH GUARD, FOLLOWED BY ONE SPACER (ITEM "C") AND ONE 5/16" WASHER (ITEM "C"). DO NOT TIGHTEN UNTIL ALL BOLTS ARE IN PLACE.

## 2 BRUSH GUARD (FRONT), W/ SUN TOP

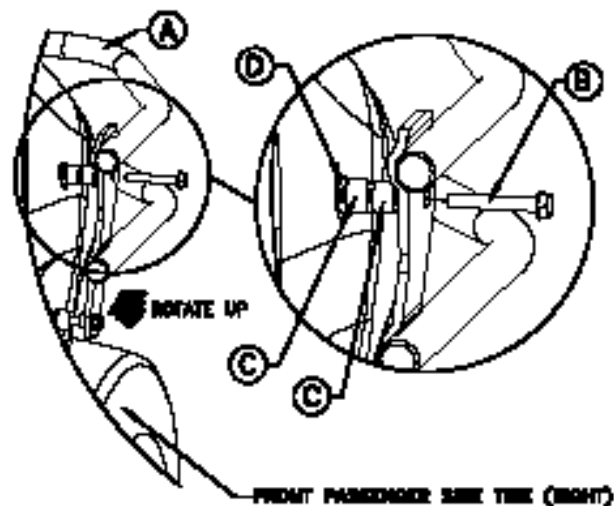
IF YOUR VEHICLE HAS A SUN TOP YOU WILL REMOVE THE HARDWARE.



2A). REMOVE THE UPPER BOLTS ON BOTH SIDES OF THE SUN TOP ROOF SUPPORT, MAKING SURE NOT TO LOSE THE SPACERS. ROTATE AND ALIGN THE BRUSH GUARD AND REINSTALL THE TOP BOLTS. NEXT TIGHTEN BOTH THE LOWER AND UPPER BOLTS.

## BRUSH GUARD (FRONT), W/O SUN TOP

WITHOUT A SUN TOP, YOU WILL NEED TO USE THE HARDWARE PROVIDED WITH THE BRUSH GUARD FOR INSTALLATION.



2B). PLACE THE 5/16-18-2.35" BOLT (ITEM "B") THROUGH THE UPPER HOLE IN THE BRUSH GUARD, FOLLOWED BY TWO SPACERS (ITEM "C") AND ONE 5/16" WASHER (ITEM "C"). THEN TIGHTEN ALL HARDWARE.